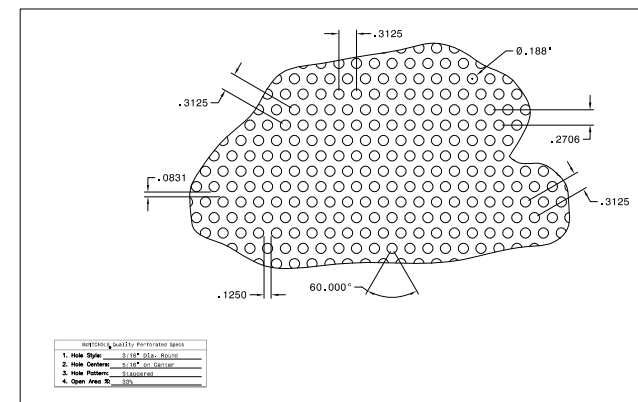
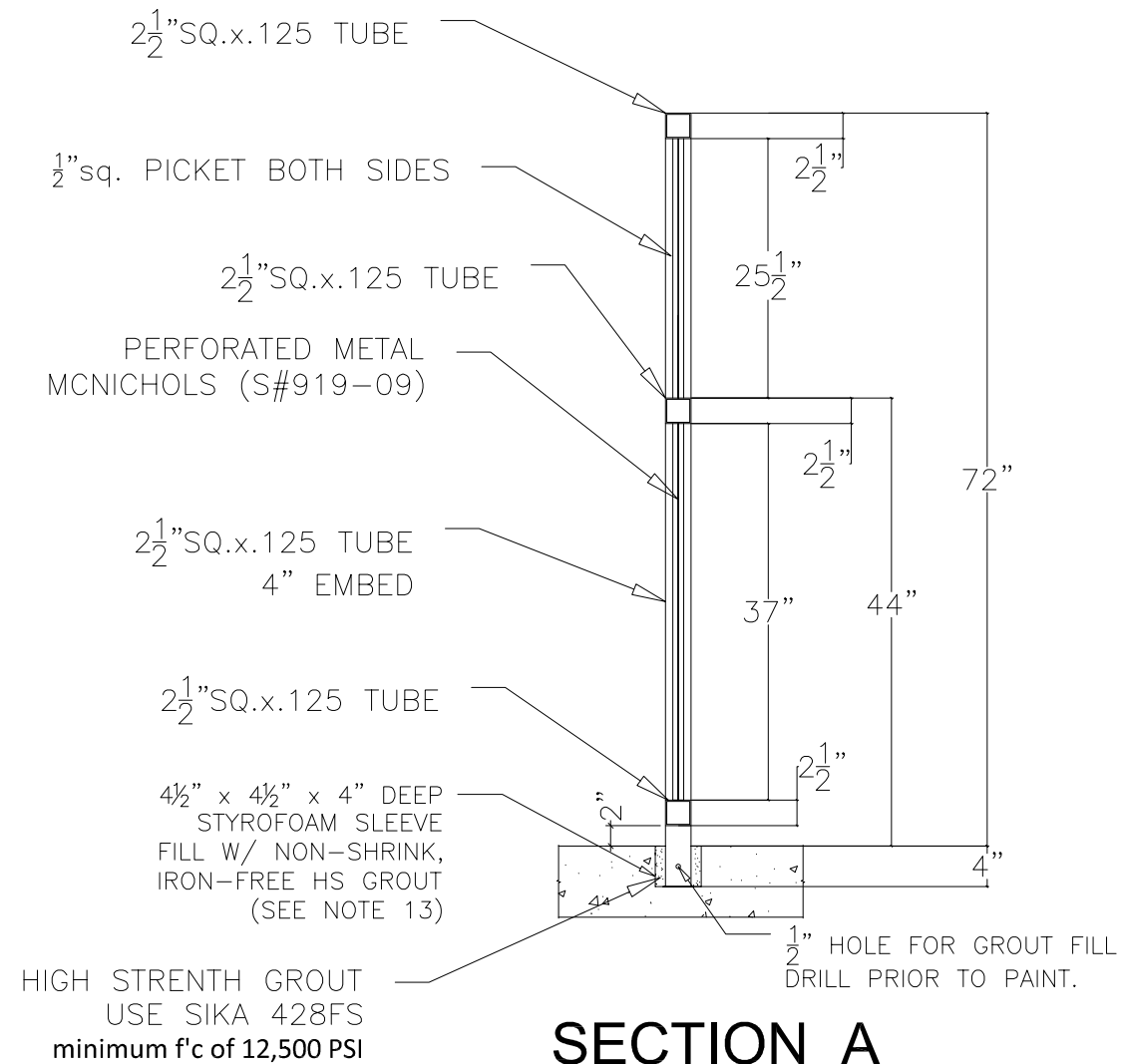


## PERFORATED DIVIDER

FOR DESIGN INTENT ONLY,  
NOT FOR INSTALLATION!

### NOTES:

1. MATL: ALUMINUM EXTRUSIONS 6063-T5  
POST EXTRUSIONS 6061-T6
2. FINISH: ESP BAKED POWDER COAT
3. COLOR: CUSTOMER TO SPECIFY
4. SHOP WELDED FABRICATION AND ASSEMBLY (U.N.)
5. FIELD VERIFICATION AND INSTALLATION BY WHITE ALUMINUM.
6. IRON-FREE, NON-SHRINK GROUT  
7,000 PSI MIN.
7. ALL HARDWARE SHALL BE RUST RESISTANT AND COMPATIBLE.
8. MATERIAL SHALL BE AS REQUIRED BY DESIGN AND CALCULATIONS.
9. MATERIAL ORDER SHALL NOT COMMENCE UNTIL DRAWING APPROVAL BY CUSTOMER.
10. RAIL FABRICATION SHALL COMMENCE AFTER FIELD DIMENSIONS BY WHITE ALUMINUM.



ITEM# 1731511241  
**PERF. INFO**

**FLOOR TO CEILING  
OPTION ALSO AVAILABLE**

DRAWN BY: R. FRANKLIN		CHECKED BY: R. WHITE	
SCALE: N.A.		PROJECT:	
DATE: 07/15/19		DRAWING DESCRIPTION:	
CUSTOMER:		PERFORATED BALCONY DIVIDER	
DRAWING NUMBER:		SAMPLE	
REV.:			

WHITE  
ALUMINUM FABRICATION, INC.  
3497 S.E. LIDNELL TERR.  
STUART, FL. 34997

TEL. 561-219-3245

FAX. 561-219-3246