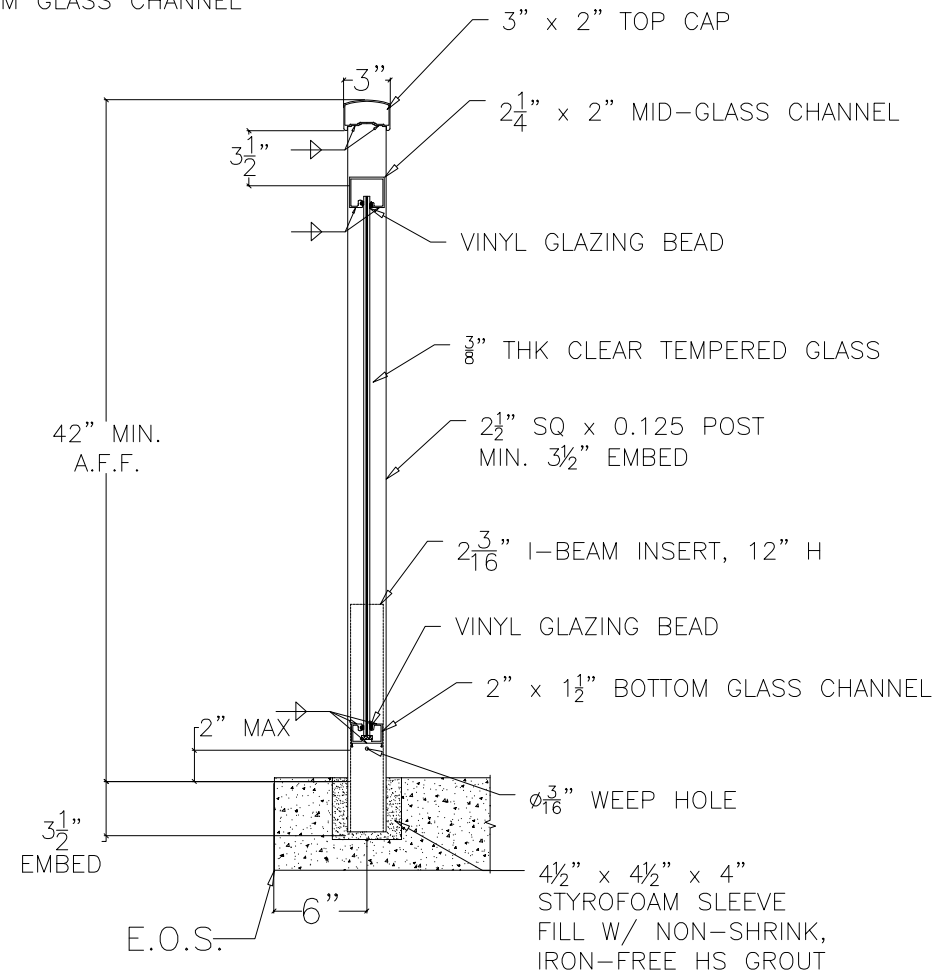


GLASS RAIL ELEVATION

**FOR DESIGN INTENT ONLY,  
NOT FOR INSTALLATION!**

NOTES:

1. MATL: ALUMINUM EXTRUSIONS 6063-T5  
POST EXTRUSIONS 6061-T6
2. FINISH: ESP BAKED POWDER COAT
3. COLOR: CUSTOMER TO SPECIFY
4. SHOP WELDED FABRICATION AND ASSEMBLY (U.N.)
5. FIELD VERIFICATION AND INSTALLATION BY WHITE ALUMINUM.
6. IRON-FREE, NON-SHRINK GROUT  
7,000 PSI MIN.
7. ALL HARDWARE SHALL BE RUST RESISTANT AND COMPATIBLE.
8. MATERIAL SHALL BE AS REQUIRED BY DESIGN AND CALCULATIONS.
9. MATERIAL ORDER SHALL NOT COMMENCE UNTIL DRAWING APPROVAL BY CUSTOMER.
10. RAIL FABRICATION SHALL COMMENCE AFTER FIELD DIMENSIONS BY WHITE ALUMINUM.



SECTION A-A

SCALE: N.T.S.		PROJECT:	DRAWN BY: R. F.
DATE: 04/20/20			CHECKED BY: R. WHITE
DRAWING DESCRIPTION		DRAWING NUMBER: SAMPLE	
3/8" 3-LINE GLASS RAIL TYPICAL DETAILS		REV.	
CUSTOMER:		REV.	
<b>WHITE</b> ALUMINUM FABRICATION, INC. 3497 S.E. LIONEL TERR. STUART, FL. 34997		FAX. 561-219-3246	
		TEL. 561-219-3245	